

STIHL®

STIHL FCS-KM

Instruction Manual
Manual de instrucciones



WARNING

Read Instruction Manual thoroughly before use and follow all safety precautions – improper use can cause serious or fatal injury.

ADVERTENCIA

Antes de usar la máquina lea y siga todas las precauciones de seguridad dadas en el manual de instrucciones – el uso incorrecto puede causar lesiones graves o mortales.



Instruction Manual

1 - 20

Manual de instrucciones

21 - 42

Contents

KombiSystem	2
Guide to Using this Manual	2
Safety Precautions and Working Techniques	3
Using the Unit	9
Approved KombiEngines	11
Assembling the Unit	11
Mounting the KombiTool	12
Mounting the Cutting Blade	12
Starting / Stopping the Engine	13
Storing the Machine	14
Replacing the Depth Wheel	14
Replacing the Skirt	14
Replacing the Cutting Blade	15
Checking and Replacing the Wear Guard	15
Maintenance and Care	16
Main Parts	17
Specifications	18
Maintenance and Repairs	18
Disposal	19
Trademarks	19

Allow only persons who fully understand the manuals of the KombiEngine and edger KombiTool to operate this power tool combination.

To receive maximum performance and satisfaction from your STIHL KombiTool, it is important that you read, understand and follow the safety precautions and the operating and maintenance instructions in chapter "Safety Precautions and Working Techniques" before using your KombiTool. For further information you can go to www.stihlusa.com.

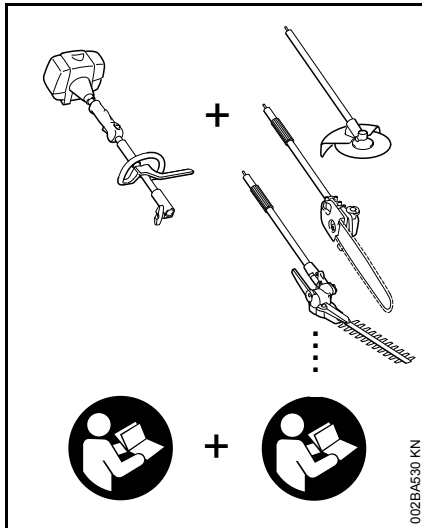
Contact your STIHL dealer or the STIHL distributor for your area if you do not understand any of the instructions in the two manuals.

WARNING

Because a KombiEngine equipped with an edger KombiTool has a high-speed cutting attachment some special safety precautions must be observed to reduce the risk of personal injury. Careless or improper use may cause serious or even fatal injury.

STIHL®

KombiSystem



In the STIHL KombiSystem a number of different KombiEngines and KombiTools can be combined to produce a power tool. In this instruction manual the functional unit formed by the KombiEngine **and** KombiTool is referred to as the power tool.

Therefore, the separate instruction manuals for the KombiEngine and KombiTool should be used together for the power tool.

Always read and make sure you understand **both** instruction manuals before using your power tool for the first time and keep them in a safe place for future reference.

Guide to Using this Manual

Pictograms

All the pictograms attached to or embossed on the machine are shown and explained in this manual.

Symbols in Text

Many operating and safety instructions are supported by illustrations.

The individual steps or procedures described in the manual may be marked in different ways:

- A bullet marks a step or procedure.

A description of a step or procedure that refers directly to an illustration may contain item numbers that appear in the illustration. Example:

- Loosen the screw (1).
- Lever (2) ...

In addition to the operating instructions, this manual may contain paragraphs that require your special attention. Such paragraphs are marked with the following symbols and signal words:

DANGER

Indicates an imminent risk of severe or fatal injury.

WARNING

Indicates a hazardous situation which, if not avoided, could result in severe or fatal injury.

NOTICE

Indicates a risk of property damage, including damage to the machine or its individual components.

Engineering Improvements

STIHL's philosophy is to continually improve all of its products. As a result, engineering changes and improvements are made from time to time. Therefore, some changes, modifications and improvements may not be covered in this manual. If the operating characteristics or the appearance of your machine differs from those described in this manual, please contact your STIHL dealer or the STIHL distributor for your area for assistance.

Safety Precautions and Working Techniques



Because a KombiEngine equipped with an edger KombiTool is a high-speed power tool, special safety precautions must be observed to reduce the risk of personal injury.



It is important that you read, fully understand and observe the following safety precautions and warnings. Read the instruction manuals and the safety precautions of your KombiEngine and KombiTool periodically. Careless or improper use may cause serious or fatal injury.

Have your STIHL dealer show you how to operate your power tool. Observe all applicable local safety regulations, standards and ordinances.

WARNING

As more fully explained later in these Safety Precautions, to reduce the risk of personal injury, make sure your unit is equipped with the proper handle, harness (if applicable) and deflector. Use only cutting attachments that are specifically authorized by STIHL for use on your KombiEngine model.

WARNING

Do not lend or rent your power tool without the instruction manuals of your KombiEngine and KombiTool. Be sure that anyone using it understands the information contained in these manuals.

WARNING

The use of this machine may be hazardous. If the rotating blade comes in contact with your body, it will cut you. When it comes in contact with solid foreign objects such as rocks or bits of metal, it may fling them directly or by ricochet in the direction of bystanders or the operator. Striking such objects could damage the cutting attachment and may cause blades to crack, chip or break. Thrown objects, including broken blades, may result in serious or fatal injury to the operator or bystanders.

STIHL does not recommend the use of an edger when cutting in stony areas.

Use your KombiEngine equipped with the edger KombiTool only for edging in grass, weeds and soft green plants.

WARNING

Do not use it for other purposes, since misuse may result in personal injury or property damage, including damage to the machine.

WARNING

Minors should never be allowed to use this power tool. Bystanders, especially children, and animals should not be allowed in the area where it is in use.

WARNING

To reduce the risk of injury to bystanders and damage to property, never let your power tool run unattended. When it is not in use (e.g. during a work break), shut it off and make sure that unauthorized persons do not use it.

Most of these safety precautions and warnings apply to the use of all STIHL edgers. Different models may have different parts and controls. See the appropriate section of your KombiEngine and KombiTool instruction manuals for a description of the controls and the function of the parts of your model.

Safe use of a power tool involves

1. the operator
2. the power tool
3. the use of the power tool.

THE OPERATOR

Physical Condition

You must be in good physical condition and mental health and not under the influence of any substance (drugs, alcohol, etc.) which might impair vision, dexterity or judgment. Do not operate this machine when you are fatigued.

WARNING

Be alert – if you get tired, take a break. Tiredness may result in loss of control. Working with any power tool can be strenuous. If you have any condition that

might be aggravated by strenuous work, check with your doctor before operating this machine.

Proper Clothing



WARNING

To reduce the risk of injury, the operator should wear proper protective apparel.

The deflector provided with your power tool will not protect the operator from all foreign objects (gravel, glass, wire, etc.) thrown back by the rotating cutting attachment. Thrown objects may also ricochet and strike the operator.



WARNING



To reduce the risk of injury to your eyes never operate your power tool unless wearing goggles or properly fitted protective glasses with adequate top and side protection complying with ANSI Z87 "+" (or your applicable national standard). If there is a risk of injury to the operator's face, STIHL also recommends that you also wear a face shield or face screen over your goggles or protective glasses.

Power tool noise may damage your hearing. Wear sound barriers (ear plugs or ear muffers) to protect your hearing. Continual and regular users should have their hearing checked regularly.

Be particularly alert and cautious when wearing hearing protection because your ability to hear warnings (shouts, alarms, etc.) is restricted.



Always wear heavy duty work gloves (e.g. made of leather or other wear resistant material) when handling the machine and metal blades. Heavy-duty, nonslip gloves improve your grip and help to protect your hands.



Clothing must be sturdy and snug-fitting, but allow complete freedom of movement. Wear long pants made of heavy material to help protect your legs. Do not wear shorts, sandals or go barefoot.

Avoid loose-fitting jackets, scarfs, neckties, jewelry, flared or cuffed pants, unconfined long hair or anything that could become caught on branches, brush or the moving parts of the unit. Secure hair so it is above shoulder level.



Good footing is very important. Wear sturdy boots with nonslip soles. Steel-toed safety boots are recommended.

Wear an approved safety hard hat to reduce the risk of injury to your head when there is a danger of head injuries.

For further instructions on proper clothing see the safety precautions in the instruction manual of the KombiEngine you are using.

THE POWER TOOL (KOMBIENGINE EQUIPPED WITH EDGER KOMBITOO)

For illustrations and definitions of the power tool parts see the chapter on "Main Parts."

! WARNING

Never modify this power tool in any way. Only attachments supplied by STIHL and expressly approved by STIHL for use with the specific STIHL KombiEngine are authorized. Although certain unauthorized attachments are useable with STIHL power tools, their use may, in fact, be extremely dangerous.

If this tool is subjected to unusually high loads for which it was not designed (e.g. heavy impact or a fall), always check that it is in good condition before continuing work. Check in particular that the controls and safety devices are working properly. Do not continue operating this machine if it is damaged. In case of doubt, have it checked by your STIHL servicing dealer.

THE USE OF THE POWER TOOL (KOMBIENGINE EQUIPPED WITH EDGER KOMBITOO)

Transporting the Power Tool

! WARNING

To reduce the risk of injury from loss of control and blade contact, never carry or transport your power tool with the cutting attachment moving.

! WARNING

Always switch off the engine and make sure the cutting blade has stopped before putting a power tool down.

It may be carried only in a horizontal position. Grip the shaft in a manner that the machine is balanced horizontally. Keep the hot muffler away from your body and the cutting attachment behind you.

! WARNING

When transporting it in a vehicle, properly secure it to prevent turnover, fuel spillage and damage to the unit.

Before Starting

! WARNING

Always check your power tool for proper condition and operation before starting. Never attempt to modify the controls or safety devices.

! WARNING

Never operate your power tool if it is damaged, improperly adjusted or maintained, or not completely or securely assembled.

! WARNING

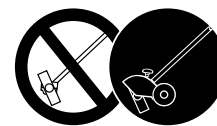
Do not attach any cutting attachment to a unit without proper installation of all required parts. Failure to use the proper parts may cause the blade to fly off and seriously injure the operator or bystanders.

! WARNING

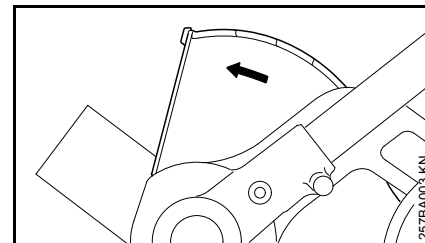
The cutting attachment must be properly tightened and in safe operating condition. Inspect for loose parts (nuts, screws, etc.) and for cracked, bent, warped or damaged blades. Replace damaged blades before using the power tool.

Keep the handles clean and dry at all times; it is particularly important to keep them free of moisture, pitch, oil, fuel mix, grease or resin in order for you to maintain a firm grip and properly control your power tool.

! WARNING



To reduce the risk of personal injury to the operator from blade contact and thrown objects, make sure your unit is equipped with the proper deflector, handle and harness (if applicable).



An arrow on the deflector shows the correct direction of rotation of the cutting blade.

The arrow on the deflector must always face away from you, so that cuttings and other debris will be diverted away from the machine and your position (see chapter "Using the Unit".)

Adjust carrying harness and hand grip to suit your size before starting work. The machine should be properly balanced as specified in your instruction manual for proper control and less fatigue in operation. To be better prepared in case of an emergency, practise releasing the unit from the harness as quickly as possible.

Starting

WARNING

Start the engine at least 10 feet (3 m) from the fueling spot, outdoors only.

For specific starting instructions, see the appropriate section of your KombiEngine and KombiTool manuals.

Place the power tool on firm ground or other solid surface in an open area. Maintain good balance and secure footing.

WARNING

To reduce the risk of injury from loss of control, be absolutely sure that the cutting tool is clear of you and all other obstructions and objects, including the ground, because when the engine starts at starting-throttle, engine speed will be fast enough for the clutch to engage and move the blade on the cutting tool.

Once the engine has started, immediately blip the throttle trigger, which should release the starting throttle and allow the engine to slow down to idle.

With the engine running only at idle, attach the power tool to the spring hook of your harness if you are using one (see appropriate chapter of this manual).

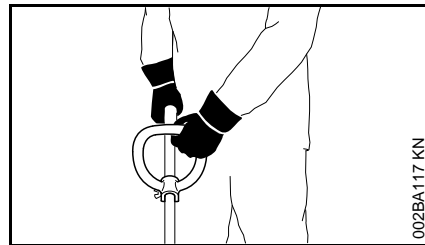
WARNING

Your power tool is a one-person machine. Do not allow other persons in the general work area, even when starting.

See also the safety precautions on Starting in the instruction manual of the KombiEngine.

During Operation

Holding and Controlling the Power Tool



Always hold the unit firmly with both hands on the handles while you are working. Wrap your fingers and thumbs around the handles.

Your right hand should grip the rear handle. This also applies to left-handers.

WARNING



Never attempt to operate your power tool with one hand. Loss of control of the power tool resulting in serious or fatal injury may result. To reduce the risk of cut injuries, keep hands and feet away from the cutting attachment. Never touch a moving cutting attachment with your hand or any other part of your body.

WARNING

Do not overreach. Keep proper footing and balance at all times. Special care must be taken in slippery conditions (wet ground, snow) and in difficult, overgrown terrain. Watch for hidden obstacles such as tree stumps, roots and ditches to avoid stumbling. For better footing, clear away scrub and cuttings. Be extremely cautious when working on slopes or uneven ground.

WARNING

To reduce the risk of injury from loss of control, never work on a ladder or on any other insecure support. Never hold the cutting attachment above waist height.

Working Conditions

Operate and start your power tool only outdoors in a well-ventilated area. Operate it under good visibility and daylight conditions only. Work carefully.

! WARNING

If the vegetation being cut or the surrounding ground is coated with a chemical substance (such as an active pesticide or herbicide), read and follow the instructions and warnings that accompany the substance at issue.

! WARNING

Inhalation of certain dusts, especially organic dusts such as mold or pollen, can cause susceptible persons to have an allergic or asthmatic reaction. Substantial or repeated inhalation of dust and other airborne contaminants, in particular those with a smaller particle size, may cause respiratory or other illnesses. Control dust at the source where possible. Use good work practices, such as operating the unit so that the wind or operating process directs any dust raised by the power tool away from the operator. Follow the recommendations of EPA / OSHA / NIOSH and occupational and trade associations with respect to dust ("particulate matter"). When the inhalation of dust cannot be substantially controlled, i.e., kept at or near the ambient (background) level, the operator and any bystanders should wear a respirator approved by NIOSH / MSHA for the type of dust encountered.

Operating Instructions**! WARNING**

Do not operate your power tool using the starting throttle lock, as you do not have control of the engine speed.

In the event of an emergency, switch off the engine immediately – move the slide control / stop switch / momentary stop switch to **0** or **STOP**.

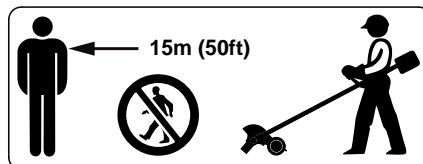
See section of your KombiEngine instruction manual on the proper use of the slide control / stop switch / momentary stop switch.

! WARNING

The cutting attachment continues to rotate for a short period after the throttle trigger is released (flywheel effect.)

! WARNING

The rotating cutting attachment may fling foreign objects directly or by ricochet a great distance.



To reduce the risk of eye and other injury always wear proper eye protection (see the chapter on "Proper Clothing") and ensure that bystanders are at least 50 feet (15 m) away. To reduce the risk of damage to property, also maintain this distance from such objects as vehicles or windows. Even maintaining a minimum distance of 15 meters cannot exclude the potential danger. Any coworkers who must be in the restricted area should also wear goggles or protective glasses. Stop the engine immediately if you are approached.

! WARNING

Inspect the work area: To reduce the risk of injury, remove stones, pieces of metal and other solid objects which could be thrown 15 meters or more by the cutting attachment or damage the cutting attachment and property (e.g. parked vehicles, windows).

! WARNING

This edger is normally to be used at ground level with the KombiTool perpendicular to the ground. Use of an edger above ground level or with the cutting attachment parallel to the ground may increase the risk of injury, since the cutting attachment is more fully exposed and the edger may be more difficult to control. Never use your edger as a hedge trimmer.

! WARNING

During cutting, check the tightness and the condition of the cutting attachment at regular short intervals with the engine and attachment stopped. If the behavior of the attachment changes during use, stop the engine immediately, wait until the cutting attachment stops, and check the nut securing the attachment for tightness and the blade for cracks, wear and damage.

! WARNING

A loose blade may vibrate, crack, break or come off the edger, which may result in serious or fatal injury. Make sure that the cutting attachment is properly tightened. Use the wrench supplied or one of sufficient length to obtain the proper torque. If the blade loosens after being properly tightened, stop work immediately. The retaining nut may be worn or damaged and should be replaced. If the blade continues to loosen, see your STIHL dealer. Never use a KombiEngine with a loose KombiTool.

! WARNING

Replace a cracked, bent, warped, damaged or worn out blade immediately, even if damage is limited to superficial cracks. Such attachments may shatter at high speed and cause serious or fatal injury.

! WARNING

When using your edger, avoid cutting close to fences, sides of buildings, tree trunks, stones or other such objects that could cause the power tool to kick out or could cause damage to the blade.

! WARNING

If a rotating metal blade strikes a rock or other hard object, sparks may be created, which can ignite flammable materials under certain circumstances. Flammable materials can include dry vegetation and brush, particularly when weather conditions are hot and dry. When there is a risk of fire or wildfire, do

not use metal blades around flammable materials or around dry vegetation or brush. Contact your local fire authorities or the U.S. Forestry Service if you have any question about whether vegetation and weather conditions are suitable for the use of a metal blade.

! WARNING

If the blade or deflector becomes clogged or stuck, always shut off the engine and make sure the cutting attachment has stopped before cleaning. Grass, weeds, etc. should be cleaned off the blade at regular intervals.

! WARNING

To reduce the risk of unintentional rotation of the cutting attachment and injury, always shut off the engine before replacing the cutting attachment.

! WARNING

The gearbox becomes hot during operation. To reduce the risk of burn injury, do not touch the gear housing when it is hot.

USING THE CUTTING ATTACHMENT

For an illustration of the cutting attachment and instructions on proper mounting see the chapter on "Replacing the Cutting Blade" in your instruction manual.

MAINTENANCE, REPAIR AND STORING

! WARNING

Always stop the engine and make sure that the cutting attachment is stopped before doing any maintenance or repair work or cleaning the power tool. Do not attempt any maintenance or repair work not described in your KombiEngine and KombiTool instruction manuals. Have such work performed at your STIHL servicing dealer only.

! WARNING

Use only identical STIHL replacement parts for maintenance and repair. Use of non-STIHL parts may cause serious or fatal injury.

Wear gloves when handling or performing maintenance on blades.

! WARNING

Never repair damaged cutting attachments by welding, straightening or modifying the shape. This may cause parts of the cutting attachment to come off and result in serious or fatal injuries.

Tighten all nuts, bolts and screws, except the carburetor adjustment screws, after each use.

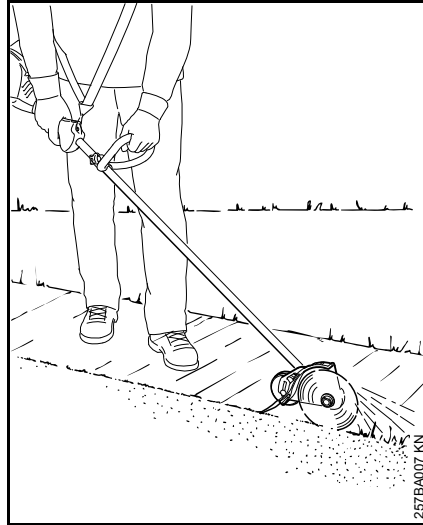
Do not clean your machine with a pressure washer. The solid jet of water may damage parts of the machine.

Do not immerse the power tool in fluids.

Always clean dust and dirt off the power tool – do not use any grease solvents for this purpose.

Store the power tool in a dry and high or locked location out of reach of children.

Using the Unit



Your power edger is designed to produce sharp contoured borders around lawns and flower beds. It will cut almost all types of grass, weeds and soft green plants.

Preparations

If the work area is very dry, spray it lightly with water: this softens the soil and ensures that less dust is created. Slightly damp green plants are easier to cut.

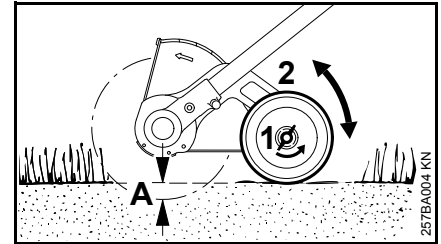


WARNING

Clear away all obstacles and solid objects from the work area.

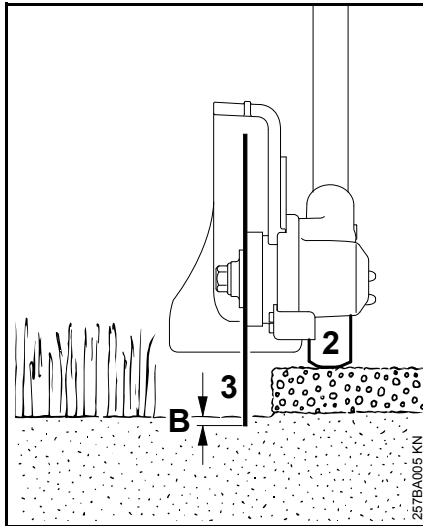
- Plan the best route for edging. Always hold and operate your edger on the right-hand side of your body.

Adjusting Depth of Cut



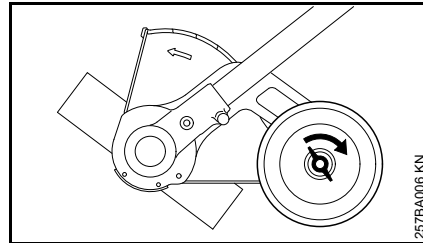
- To reduce the risk of injury, shut off the engine.
- Loosen the wingnut (1) counterclockwise.
- Push wheel (2) upwards to increase the depth of cut (A) or downwards to reduce the depth of cut (A).

Adjust correctly

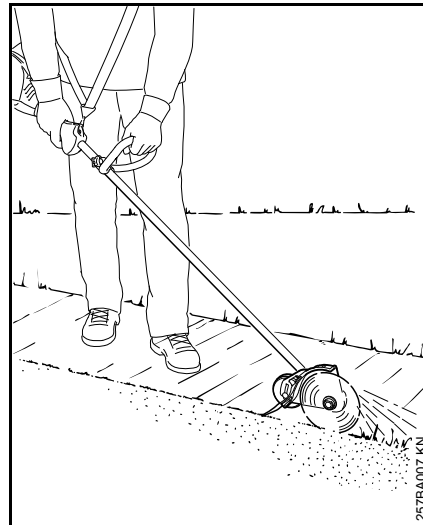


The depth of cut depends on the unevenness of the ground, your height and the way you hold the edger. Use the following procedure:

- Adjust the depth wheel (2) so that the blade (3) just touches the ground or breaks the surface of the soil by no more than 5 mm (0.2 in).



- Tighten down the wingnut clockwise.
- Standing in the normal working position, check the depth of cut again and correct it if necessary.



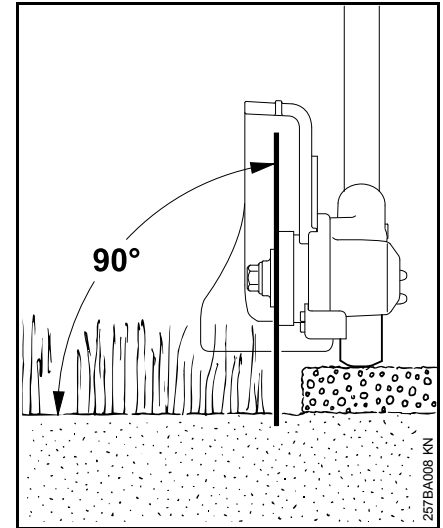
WARNING

Do not adjust the deflector.

The deflector has been set at the factory so that the arrow on the deflector and the open side point away from the

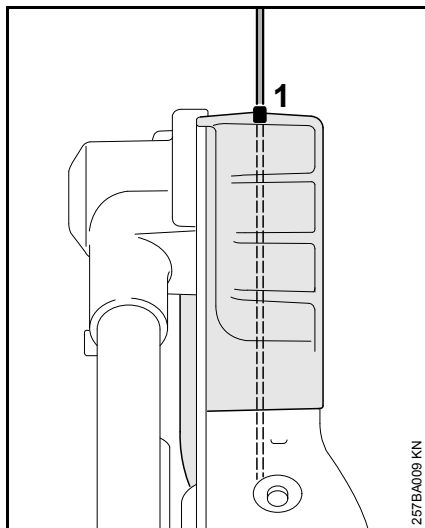
operator. This ensures that cuttings and other debris are directed away from the power tool and operator.

Edging



- Start the engine.
- Start the cut at no less than half throttle and continue cutting at full throttle.
- Hold and guide your power tool so that the blade is vertical.
- Cut steadily so that the engine is not lugged down – do not apply force.
- Operate at no more than a normal walking pace.
- Do not push the blade into the ground.

- Always walk forwards when cutting, do not pull the unit towards you.
- Cut at a steady pace to avoid having to make several passes.



- Use the gunning sight (1) to line the blade up with the edge of the bed.

Approved KombiEngines

KombiEngines

Only KombiEngines supplied by STIHL or expressly approved by STIHL for use with the specific model are authorized.

Only use this KombiTool with the following KombiEngines:

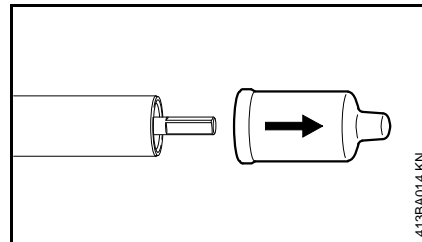
STIHL KM 55 R, KM 56 R, KM 85 R,
KM 90 R, KM 94 R, KM 110 R,
KM 130 R



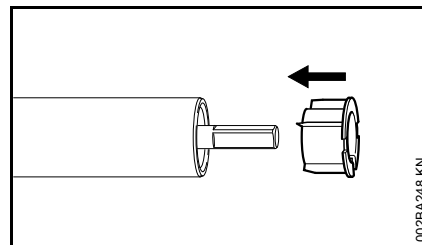
WARNING

For machines with a loop handle, the clip (barrier bar) must be installed.

Assembling the Unit



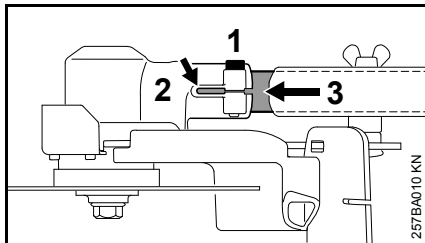
- Pull the protective caps off the ends of the drive tube and keep them in a safe place for later use – see "Storing the Machine".



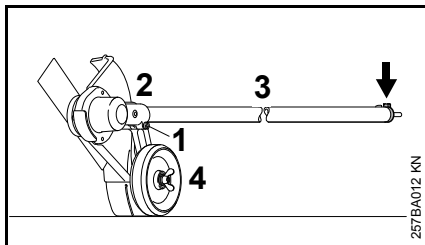
NOTICE

The plug may come out of the drive tube when you pull off the cap. Push it back into the drive tube as far as stop.

Mounting the Gearbox

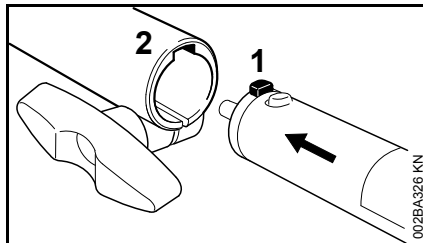


- Loosen the clamp screw (1) on the gearbox (2).
- Push the drive tube (3) through the clamp and into the gearbox – turn the gearbox back and forth as necessary.
- Once the end of the drive tube is inserted beyond the slot (see arrow in the clamp (5), push it full home as far as stop.
- Tighten down the clamp screw moderately.

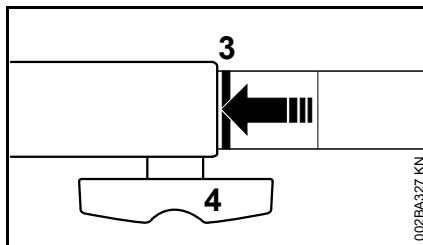


- Line up the gearbox (2) on the drive tube (3) so that the lug (arrow) points vertically upwards when the depth wheel (4) is vertical.
- Tighten down the clamp screws (1) firmly.

Mounting the KombiTool



- Push the lug (1) on the drive tube into the slot (2) in the coupling sleeve as far as stop.



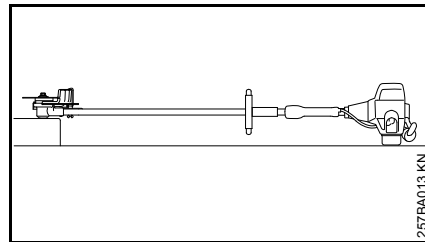
When correctly installed, the red line (3) (arrow point) must be flush with the end of the coupling sleeve.

- Tighten down the star knob (4) firmly.

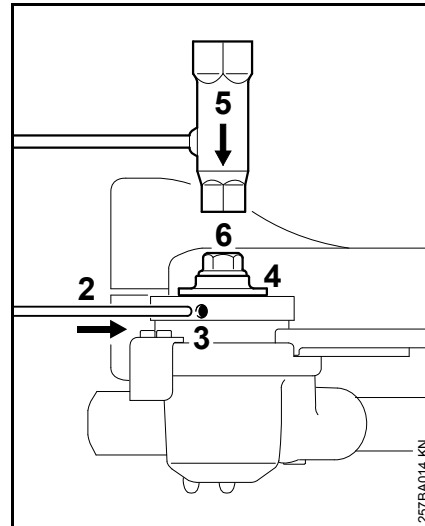
Removing the KombiTool

- Reverse the above sequence to remove the drive tube.

Mounting the Cutting Blade



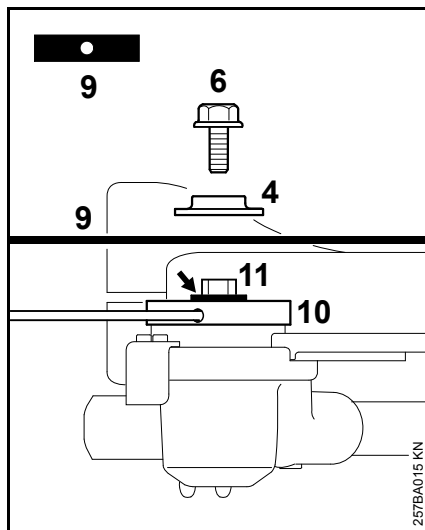
- Lay the power edge on its back so that the blade mounting (1) faces up.



- Insert the stop pin (2) into the hole (3) as far as stop – apply slight pressure and turn back and forth

together with the thrust plate (4) until the pin slips into position and blocks the shaft.

- Fit the combination wrench (5) on the screw (6).
- Loosen the screw clockwise (left-hand thread) and take it out.



- Remove the thrust washer (4).
- Position the blade (9) on the thrust plate (10).

! WARNING

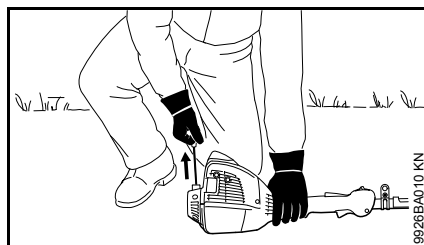
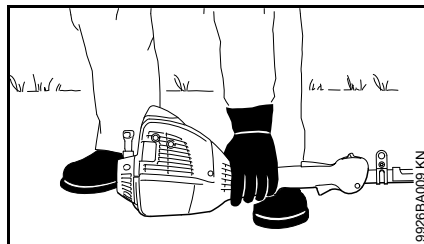
Collar (see arrow) must engage the blade's mounting hole.

- Fit the thrust washer on the shaft (11) and block the shaft.
- Fit the screw (6) in the shaft counterclockwise and tighten it down firmly.

Starting / Stopping the Engine

Starting the engine

To start the engine, basically follow the instructions for use for the KombiEngine or basic power tool!



- Place the machine on the ground in a secure position

The blade must not touch the ground or any other objects – **risk of accident!**

- Assume a firm stance – possibilities: standing, bending or kneeling
- Press the machine **firmly** against the ground with the left hand – do not touch the control elements on the control handle while doing so – see instruction manual for the KombiEngine or basic power tool

NOTICE

Do not stand or kneel on the shaft!

! WARNING

If the engine is started, the blade may rotate as soon as the engine is running – therefore blip the throttle trigger as soon as the engine is running – the engine begins to idle.

The other starting procedure is described in the instruction manual for the KombiEngine or basic power tool.

Switching off the engine

- see instruction manual for the KombiEngine or basic power tool

Storing the Machine

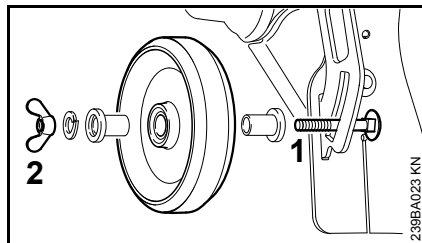
For periods of 3 months or longer

- Remove, clean and inspect the cutting blade.
- If the KombiTool is removed from the KombiEngine and stored separately: Fit the protective cap on the drive tube to avoid dirt getting into the coupling.
- Store the machine in a dry, high or locked location – out of the reach of children and other unauthorized persons.

Replacing the Depth Wheel

Have the worn wheel replaced by a specialist dealer. STIHL recommends that maintenance and repair work be carried out only by authorized STIHL dealers.

Wheel

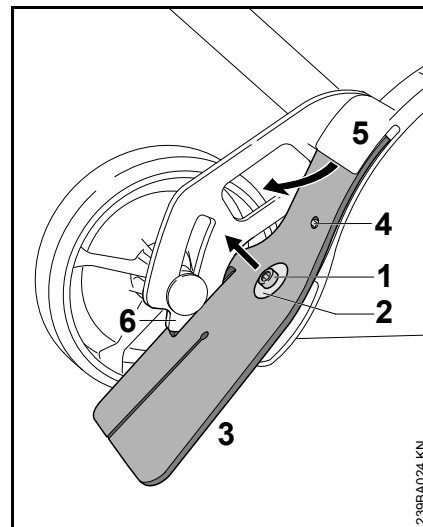


- End of screw thread (1) is deformed so that the wingnut (2) cannot be lost

The wingnut can only be unscrewed from the screw with **lots of force**. If the parts are joined again after this, the function of the "filler cap retainer" is no longer assured. In this case, have the screw and wingnut replaced with new ones by a specialist dealer.

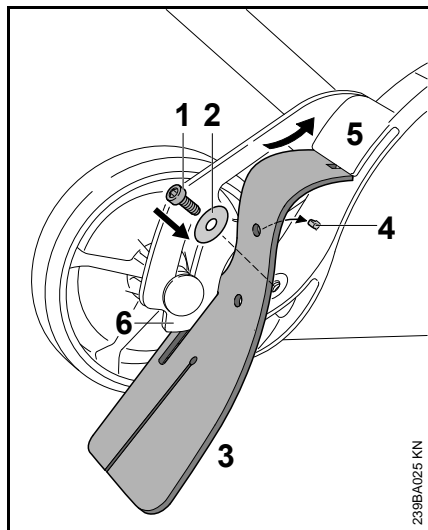
Replacing the Skirt

Removing the skirt



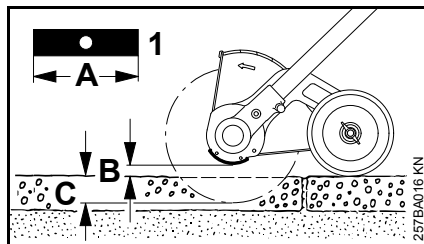
- Undo and remove the screw (1).
- Remove the washer (2)
- Pull the skirt (3) out of the segment (6) and out of the gap (5) in the deflector

Fitting the skirt



- In order to push the skirt easily into the gap on the deflector, apply a thin coating of resin-free oil to the top of the skirt
- Thread the skirt (3) into the segment (6) and push into the gap (5) of the deflector – the bore in the skirt must be fixed in the arbor (4)
- Place washer (2) onto screw (1).
- Insert and tighten the screw (1)

Replacing the Cutting Blade



Do not attempt to straighten or weld a bent or cracked blade – **it may break** – it must be replaced – see "Mounting the Cutting Blade".

STIHL recommends you use only the following original STIHL cutting blades:

Length	Thick-ness	Marking
200 mm	2.4 mm	4133 / 01
200 mm	3.8 mm	4133 / 02

Do not sharpen the blade.

- Replace the blade (1) if its length (A) is no longer sufficient to maintain the necessary ground clearance (B) and obtain the required depth of cut (C).

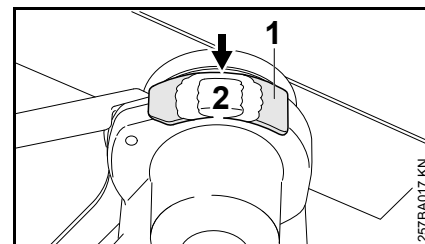
Checking Out-of-Balance

To avoid out-of-balance:

- Have your dealer check the blade for out-of-balance on a STIHL balancer (special accessory) – STIHL recommends an authorized STIHL servicing dealer. If blade is out-of-balance, fit a new one – see "Mounting the Cutting Blade".

Checking and Replacing the Wear Guard

Checking the Wear Guard

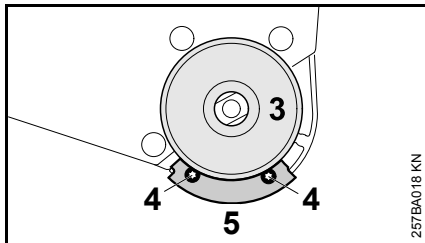


- Check the wear guard (1) for damage before starting the power tool.
- The wear guard must be replaced as soon as the gearbox (2) (arrow) becomes visible.

NOTICE

The gearbox may be seriously damaged if you do not replace the wear guard in good time.

Replacing the Wear Guard



- Remove the cutting blade - see "Mounting the Cutting Blade".
- Remove the thrust plate (3).
- Take out the screws (4).
- Fit the new wear guard (5).
- Insert the screws (4) and tighten them down firmly.
- Fit the thrust plate (3).
- Mount the cutting blade - see "Mounting the Cutting Blade".

Maintenance and Care

The following intervals apply to normal operating conditions only. If your daily working time is longer or operating conditions are difficult (very dusty work area, etc.), shorten the specified intervals accordingly.

Accessible screws and nuts (not wingnut for depth wheel)

- Check and retighten if necessary

Depth wheel

- Visual inspection before starting work
- Check tightness of wingnut before starting work
- Have replaced if necessary – see "Replacing Wheels"

Skirt

- Visual inspection before starting work
- Replace if damaged – see "Replacing the Skirt"

Blade

- Visual inspection before starting work
- Check tightness before starting work
- Have checked for out-of-balance if necessary, replace if out-of-balance – see "Replacing the Cutting Blade"
- Replace if damaged – see "Replacing the Cutting Blade"

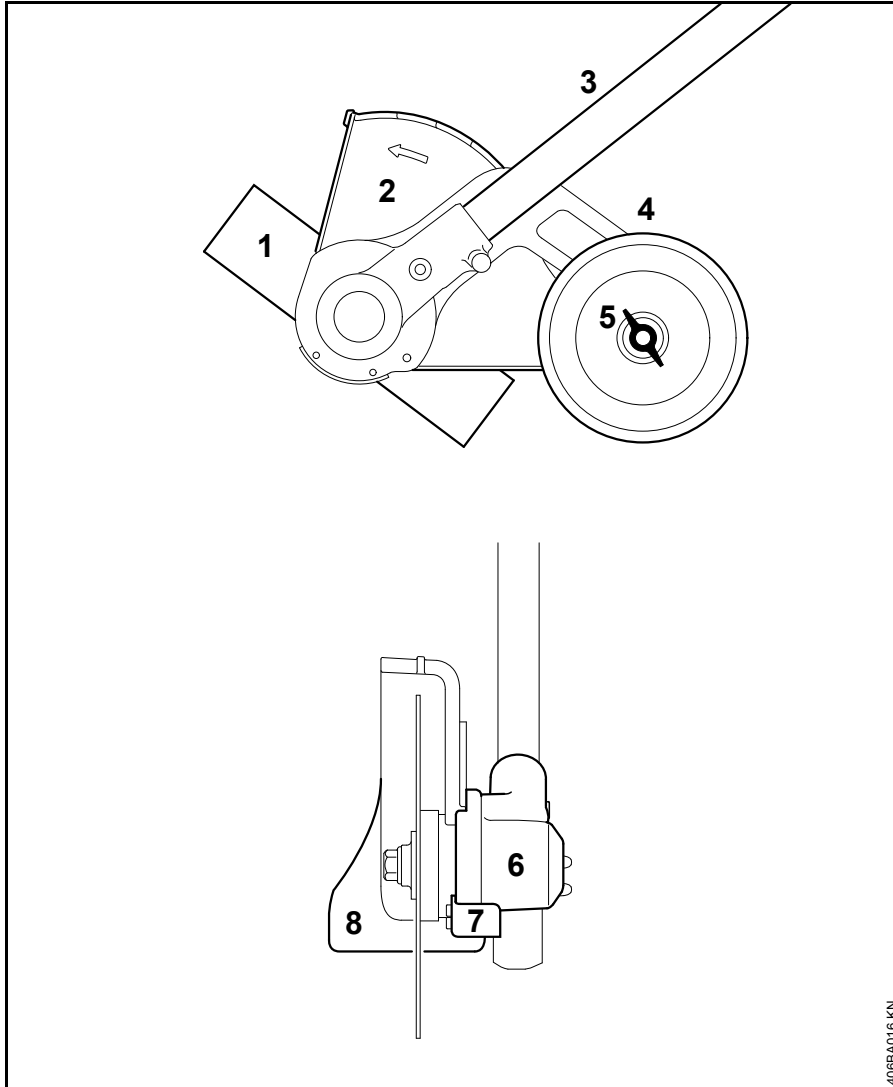
Wear guard

- Check before starting work
- Replace if necessary – see "Checking and Replacing the Wear Guard"

Safety labels

- Replace illegible safety labels

Main Parts



- 1 Cutting Blade
- 2 Deflector
- 3 Drive Tube
- 4 Depth Wheel
- 5 Wingnut
- 6 Gearbox
- 7 Wear Guard
- 8 Skirt

408EBA016 KN

Definitions

- 1 Cutting Blade**
Metal cutting blade for cutting weeds and soft green plants.
- 2 Deflector**
Designed to reduce the risk of injury from foreign objects flung backwards toward the operator by the cutting attachment and from contact with the cutting attachment.
- 3 Drive Tube**
Encloses and protects the drive shaft between the coupling sleeve and gearbox.
- 4 Depth Wheel**
Deflector-mounted depth wheel rolls on ground and keeps edger cutting blade at preset height for required depth of cut.
- 5 Wingnut**
Must be loosened to shift the wheel to adjust the depth of cut.
- 6 Gearbox**
Reduces engine speed to speed required to drive the edger blade.
- 7 Wear Guard**
Protects the gearbox from wear.
- 8 Skirt**
Designed to reduce the risk of injury from foreign objects flung back towards the operator by the cutting blade.

Specifications


Weight

with deflector and blade: 5.3 lbs (2.4 kg)

Maintenance and Repairs

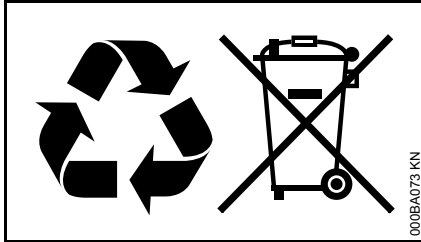
Users of this unit should carry out only the maintenance operations described in this manual. STIHL recommends that other repair work be performed only by authorized STIHL servicing dealers.

Warranty claims following repairs can be accepted only if the repair has been performed by an authorized STIHL servicing dealer using genuine STIHL replacement parts.

Genuine STIHL parts can be identified by the STIHL part number, the **STIHL** logo and, in some cases, by the STIHL parts symbol . The symbol may appear alone on small parts.

Disposal

Observe all country-specific waste disposal rules and regulations.



STIHL products must not be thrown in the garbage can. Take the product, accessories and packaging to an approved disposal site for environment-friendly recycling.

Contact your STIHL servicing dealer for the latest information on waste disposal.

Trademarks

STIHL Registered Trademarks

STIHL®

STIHL®



The color combination orange-grey (U.S. Registrations #2,821,860; #3,010,057, #3,010,058, #3,400,477; and #3,400,476)



AutoCut®

EASYSTART®

FARM BOSS®

iCademy®

MAGNUM®

MasterWrench Service®

MotoMix®

OILOMATIC®

Rock Boss®

STIHL Cutquik®

STIHL DUROMATIC®

STIHL Quickstop®

STIHL ROLLOMATIC®

STIHL WOOD BOSS®

TIMBERSPORTS®

WOOD BOSS®

YARD BOSS®

Some of STIHL's Common Law Trademarks



4-MIX™

BioPlus™

Easy2Start™

EasySpool™

ElastoStart™

Ematic™

FixCut™

HT Plus™

IntelliCarb™

Master Control Lever™

Micro™

Pro Mark™

English

Quad Power ™

Quiet Line ™

STIHL Arctic ™

STIHL Compact ™

STIHL HomeScaper Series ™

STIHL Interchangeable Attachment
Series ™

STIHL M-Tronic ™

STIHL MiniBoss ™

STIHL MotoPlus 4 ™

STIHL Multi-Cut HomeScaper Series ™

STIHL OUTFITTERS ™

STIHL PICCO ™

STIHL PolyCut ™

STIHL PowerSweep ™

STIHL Precision Series ™

STIHL Protech ™

STIHL RAPID ™

STIHL SuperCut ™

STIHL Territory ™

TapAction ™

TrimCut ™

This listing of trademarks is subject to
change.

Any unauthorized use of these
trademarks without the express written
consent of
ANDREAS STIHL AG & Co. KG,
Waiblingen is strictly prohibited.

Contenido

Sistema KombiSystem	22
Acerca de este manual de instrucciones	22
Medidas de seguridad y técnicas de manejo	23
Uso	30
Motores KombiEngine aprobados	32
Armado de la máquina	32
Instalación del KombiTool	33
Montaje de la cuchilla	33
Arranque / parada del motor	34
Almacenamiento de la máquina	35
Sustitución de la rueda	35
Sustitución de la faldilla	35
Sustitución de la cuchilla	36
Revisión y sustitución del protector contra desgaste	37
Información para mantenimiento	37
Componentes importantes	39
Especificaciones	40
Información de reparación	40
Desecho	41
Marcas comerciales	41

Permita que solamente las personas que comprenden la materia tratada en los manuales del motor KombiEngine y de la bordeadora KombiTool manejen esta herramienta motorizada combinada.

Para obtener el rendimiento y satisfacción máximos de la herramienta KombiTool de STIHL, es importante que lea, obedezca y comprenda las precauciones de seguridad y las instrucciones de uso y mantenimiento dadas en el capítulo "Precauciones de seguridad y técnicas de uso", antes de usar la KombiTool. Para información adicional, puede acudir a www.stihlusa.com.

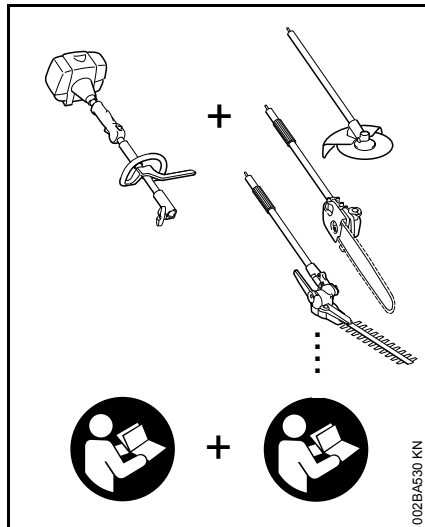
Comuníquese con el concesionario o distribuidor de STIHL si no se entiende alguna de las instrucciones dadas en los dos manuales.

ADVERTENCIA

Dado que este motor KombiEngine equipado con bordeadora KombiTool tiene un accesorio de corte de gran velocidad, es necesario tomar medidas especiales de seguridad para reducir el riesgo de lesiones. El uso descuidado o inadecuado puede causar lesiones graves e incluso mortales.

STIHL®

Sistema KombiSystem



Con el sistema KombiSystem de STIHL, varios motores KombiEngine y accesorios KombiTool pueden combinarse para formar una herramienta motorizada. En este manual de instrucciones la unidad formada por el motor KombiEngine y la herramienta KombiTool se identifica como la herramienta motorizada.

Por lo tanto, para esta herramienta motorizada es necesario usar juntos los manuales de instrucciones para el motor KombiEngine y la herramienta KombiTool.

Siempre lea y entienda **los dos** manuales de instrucciones antes de usar la herramienta motorizada por primera vez y guarde los mismos en un lugar seguro para referencia futura.

Acerca de este manual de instrucciones

Pictogramas

Todos los pictogramas que se encuentran fijados o grabados en la máquina se muestran y explican en este manual.

Símbolos en el texto

Muchas de las instrucciones de uso y seguridad vienen acompañadas de ilustraciones.

Los pasos individuales o procedimientos descritos en el manual pueden estar señalados en diferentes maneras:

- Se usa un punto para denotar un paso o procedimiento.

Una descripción de un paso o procedimiento que se refiere directamente a una ilustración puede contener números de referencia que aparecen en la ilustración. Ejemplo:

- Suelte el tornillo (1).
- Palanca (2) ...

Además de las instrucciones de uso, en este manual pueden encontrarse párrafos a los que usted debe prestar atención especial. Tales párrafos están marcados con los símbolos y las palabras identificadoras:



PELIGRO

Indica un riesgo inminente de lesiones graves o mortales.



ADVERTENCIA

Identifica una situación de peligro que, al no evitarse, puede resultar en lesiones graves o mortales.

INDICACIÓN

Indica el riesgo de daños a la propiedad, incluyendo a la máquina o sus componentes.

Mejoramientos técnicos

La filosofía de STIHL es mejorar continuamente todos sus productos. Como resultado de ello, periódicamente se introducen cambios de diseño y mejoras. Por lo tanto, es posible que algunos cambios, modificaciones y mejoras no se describen en este manual. Si las características de funcionamiento o la apariencia de su máquina difieren de las descritas en este manual, comuníquese con el concesionario STIHL para obtener la ayuda que requiera.

Medidas de seguridad y técnicas de manejo



Dado que este motor KombiEngine equipado con bordeadora KombiTool tiene una herramienta motorizada de gran velocidad, es necesario tomar medidas especiales de seguridad para reducir el riesgo de lesiones.



Es importante que usted lea, comprenda bien y respete las siguientes advertencias y medidas de seguridad. Lea periódicamente los manuales de instrucciones y las precauciones de seguridad de su motor KombiEngine y accesorio KombiTool. El uso descuidado o inadecuado puede causar lesiones graves o incluso la muerte.

Pida a su concesionario STIHL que le enseñe el manejo de la herramienta motorizada. Respete todas las disposiciones, reglamentos y normas de seguridad locales del caso.

ADVERTENCIA

Tal como se explicará a continuación en estas Medidas de seguridad, para reducir el riesgo de lesiones personales, asegúrese que su máquina esté equipada con el mango, arnés (si corresponde) y deflector adecuados. Utilice exclusivamente los accesorios de

corte autorizados específicamente por STIHL para usar en su modelo de KombiEngine.

ADVERTENCIA

No preste ni alquile nunca su herramienta motorizada sin entregar los manuales de instrucciones de su motor KombiEngine y el accesorio KombiTool. Asegúrese que todas las personas que utilicen la máquina lean y comprendan la información contenida en estos manuales.

ADVERTENCIA

El uso de esta máquina puede ser peligroso. Si la cuchilla giratoria llega a entrar en contacto con su cuerpo, le ocasionará una cortadura. Cuando choca con algún objeto extraño sólido tal como rocas o pedazos de metal, puede arrojarlo directamente o por rebote en dirección de personas que se encuentren en la cercanía o del operador. El contacto con dichos objetos puede dañar los accesorios de corte y puede hacer que las cuchillas se rompan, astillen o agrieten. Los objetos lanzados, incluso las cuchillas rotas, pueden provocar lesiones graves o mortales al operador o a personas que se encuentren en su proximidad.

STIHL no recomienda el uso de la bordeadora en zonas pedregosas.

Utilice el motor KombiEngine con bordeadora KombiTool únicamente para cortar bordes en pasto, malezas y plantas verdes blandas.

ADVERTENCIA

No debe usarse para ningún otro propósito ya que el uso indebido puede resultar en lesiones personales o daños a la propiedad, incluso daños de la máquina.

ADVERTENCIA

Nunca se debe permitir a los niños que usen esta herramienta motorizada. No se debe permitir la proximidad de otras personas, especialmente de niños, ni de animales en los lugares donde se esté utilizando la máquina.

ADVERTENCIA

Para reducir el riesgo de ocasionar lesiones a las personas en la cercanía y daños a la propiedad, nunca deje la herramienta motorizada en marcha desatendida. Cuando no está en uso (por ejemplo durante el descanso), apáguela y asegúrese que las personas no autorizadas no puedan usarla.

La mayoría de las medidas de seguridad y avisos contenidos en este manual se refieren al uso de todas las bordeadoras de STIHL. Los distintos modelos pueden contar con piezas y controles diferentes. Vea la sección correspondiente de sus manuales de instrucciones del motor KombiEngine y accesorio KombiTool para tener una descripción de los controles y la función de los componentes de su modelo.

El uso seguro de una herramienta motorizada atañe a

1. el operador
2. la herramienta motorizada
3. el uso de la herramienta motorizada.

EL OPERADOR

Condición física

Usted debe estar en buenas condiciones físicas y psíquicas y no encontrarse bajo la influencia de ninguna sustancia (drogas, alcohol, etc.) que le pueda restar visibilidad, destreza o juicio. No maneje esta máquina cuando está fatigado.

ADVERTENCIA

Esté alerta. Si se cansa, tómese un descanso. El cansancio puede provocar una pérdida del control. El uso de cualquier herramienta motorizada es fatigoso. Si usted padece de alguna dolencia que pueda ser agravada por la fatiga, consulte a su médico antes de utilizar esta máquina.

Vestimenta adecuada

ADVERTENCIA

Para reducir el riesgo de lesiones el operador debe usar el equipo protector adecuado.

El deflector provisto con su herramienta motorizada no siempre protege al operador contra todos los objetos extraños (gravilla, vidrio, alambre, etc.) arrojados por el accesorio de corte

giratorio. Los objetos arrojados o lanzados por el accesorio también pueden rebotar y golpear al operador.

ADVERTENCIA



Para reducir el riesgo de lesionarse los ojos, nunca maneje la herramienta motorizada si no tiene puestas gafas o anteojos de seguridad bien ajustados con una protección adecuada en las partes superior y lateral que satisfagan la norma ANSI Z 87 "+" (o la norma nacional correspondiente). Si existe el riesgo de que el operador se lesione el rostro, STIHL recomienda que también se use una careta o protector facial sobre las gafas o anteojos de seguridad.

El ruido de la herramienta motorizada puede dañar los oídos. Siempre use amortiguadores del ruido (tapones u orejeras) para protegerse los oídos. Los usuarios constantes y regulares deben someterse con frecuencia a un examen o control auditivo.

Esté especialmente alerta y tenga cuidado cuando se usa protectores de oídos, ya que los mismos reducen la posibilidad de oír señales de advertencia (gritos, alarmas, etc.).



Siempre use guantes gruesos (por ejemplo, fabricados de cuero u otro material resistente al desgaste) cuando manipule la máquina y las cuchillas metálicas. Los guantes gruesos y antideslizantes mejoran el manejo y ayudan a proteger las manos.



La ropa debe ser de confección fuerte y ajustada, pero no tanto que impida la completa libertad de movimiento. Use pantalones largos hechos de un material grueso para protegerse las piernas. No use pantalones cortos, sandalias o pies descalzos.

Evite el uso de chaquetas sueltas, bufandas, corbatas, joyas, pantalones acampanados o con vueltas, pelo largo suelto o cualquier cosa que pueda engancharse en las ramas, matorrales o piezas en movimiento de la máquina. Sujétese el pelo de modo que quede sobre los hombros.



Es muy importante tener una buena superficie de apoyo para los pies. Póngase botas gruesas con suela antideslizante. Recomendamos las botas de seguridad con puntera de acero.

Utilice un casco de seguridad aprobado para reducir el riesgo de lesionarse la cabeza en caso de existir tal tipo de peligro.

Para instrucciones adicionales acerca de la ropa adecuada, vea las precauciones de seguridad, en el manual de instrucciones del motor KombiEngine que está usando.

LA HERRAMIENTA MOTORIZADA (MOTOR KOMBIENGINE PROVISTO CON BORDEADORA KOMBITOOL)

Para las ilustraciones y definiciones de los componentes de la herramienta motorizada, vea el capítulo sobre "Piezas principales".

! ADVERTENCIA

Nunca modifique, de ninguna manera, esta herramienta motorizada. Utilice únicamente los accesorios y repuestos suministrados por STIHL y expresamente autorizados por STIHL para usarse con el motor KombiEngine específico de STIHL. Si bien es posible conectar a la herramienta motorizada de STIHL ciertos accesorios no autorizados, su uso puede ser, en la práctica, extremadamente peligroso.

Si la máquina experimenta cargas excesivas para las cuales no fue diseñada (por ejemplo, impactos severos o una caída), siempre asegúrese que esté en buenas condiciones antes de seguir con el trabajo. Compruebe específicamente que los controles y dispositivos de seguridad funcionen correctamente. No siga manejando esta máquina si está dañada. En caso de dudas, pida que el concesionario de servicio de STIHL la revise.

EL USO DE LA HERRAMIENTA MOTORIZADA (MOTOR KOMBIENGINE EQUIPADO CON BORDEADORA KOMBITOOL)

Transporte de la herramienta motorizada

! ADVERTENCIA

Para reducir el riesgo de sufrir lesiones debido a la pérdida de control y al contacto con la cuchilla, nunca lleve ni transporte la herramienta motorizada con el accesorio de corte en marcha.

! ADVERTENCIA

Antes de apoyar la herramienta motorizada en el suelo, siempre apague el motor y asegúrese de que la cuchilla ha dejado de girar.

Puede acarrearla solamente en posición horizontal. Agarre el eje de una manera que mantenga la máquina equilibrada horizontalmente. Mantenga el silenciador caliente lejos de su cuerpo y el accesorio de corte detrás de usted.

! ADVERTENCIA

Cuando transporte la máquina en un vehículo, sujétela firmemente para impedir su vuelco, el derrame de combustible y el daño a la máquina.

Antes de arrancar

! ADVERTENCIA

Siempre revise que la herramienta motorizada esté en buenas condiciones y funcione correctamente antes de

arrancarla. Nunca intente modificar los controles o los dispositivos de seguridad.

! ADVERTENCIA

No maneje nunca una herramienta motorizada que esté dañada, mal ajustada o mantenida o que no fue armada completa y debidamente.

! ADVERTENCIA

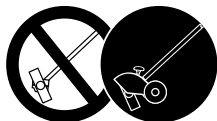
No instale ningún accesorio de corte en una máquina sin que todas las piezas requeridas estén correctamente instaladas. Si no se utilizan las piezas debidas se puede causar el desprendimiento de la cuchilla y lesionar gravemente al operador o a las personas que encuentren en su proximidad.

! ADVERTENCIA

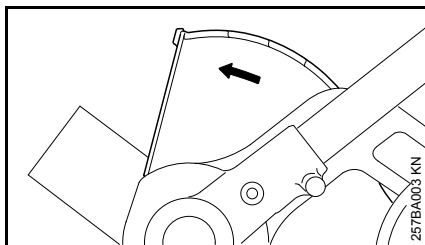
El accesorio de corte debe estar correctamente apretado y en buenas condiciones de trabajo. Busque piezas sueltas (tuercas, tornillos, etc.) y cuchillas agrietadas, dobladas, deformadas o dañadas. Sustituya las cuchillas dañadas antes de usar la herramienta motorizada.

Mantenga los mangos limpios y secos en todo momento; es particularmente importante mantenerlos libres de humedad, aceite, combustible, grasa o resinas para garantizar que la máquina pueda empuñarse firmemente para mantenerla bajo control seguro.

! ADVERTENCIA



Para reducir el riesgo de sufrir lesiones corporales debido al contacto con la cuchilla y objetos arrojados, asegúrese que su máquina esté equipada con el deflector, mango y arnés (si corresponde) correctos.



Una flecha en el deflector indica el sentido correcto de giro de la cuchilla.

La flecha del deflector siempre debe apuntar en sentido opuesto al operador, de modo que los materiales cortados y la basura sean lanzados en sentido opuesto a la máquina y al operador (vea el capítulo "Uso de la máquina").

Ajuste el arnés y la empuñadura de modo correspondiente a su estatura antes de empezar a trabajar. La máquina debe estar correctamente equilibrada de la forma especificada en el manual de instrucciones para un control correcto y menos fatiga de trabajo. Para prepararse para emergencias, practique la liberación rápida de la unidad del arnés.

Arranque

! ADVERTENCIA

Arranque el motor solamente al aire libre, por lo menos 3 m (10 pies) del lugar en que lo haya llenado.

Para las instrucciones específicas de arranque, vea la sección correspondiente de los manuales del motor KombiEngine y accesorio KombiTool.

Coloque la herramienta motorizada sobre suelo firme u otra superficie sólida en un lugar abierto. Mantenga el equilibrio y elija un buen punto de apoyo para los pies.

! ADVERTENCIA

Para reducir el riesgo de lesiones debido al contacto con las cuchillas, esté absolutamente seguro que la herramienta de corte se encuentra lejos de su cuerpo y de todas las obstrucciones y objetos, incluido el suelo, porque al arrancar el motor acelerado, su velocidad será lo suficientemente rápida para que el embrague se engrane y mueva la cuchilla de la herramienta.

Tan pronto arranque, accione inmediatamente por un breve momento el gatillo de aceleración para desconectarlo de la posición de arranque y permitir que el motor se desacelere a la marcha en vacío.

Con el motor funcionando a velocidad de marcha en vacío solamente, enganche la herramienta motorizada al

gancho de resorte de su arnés, si lo está usando (vea el capítulo correspondiente del manual).

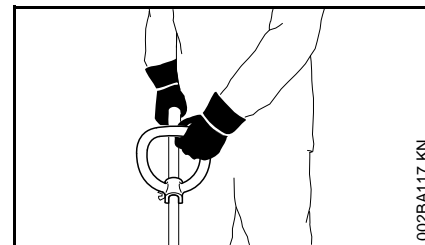
! ADVERTENCIA

Su herramienta motorizada es una máquina que debe ser manejada por solamente una persona. No deje que otras personas estén en el lugar de trabajo, aun durante el arranque.

Vea también las precauciones de seguridad de arranque en el manual de instrucciones del motor KombiEngine.

Durante el funcionamiento

Sujeción y control de la herramienta motorizada



Al trabajar, siempre sujete la máquina firmemente con ambas manos en los mangos. Cierre firmemente los dedos y pulgares sobre los mangos.

La mano derecha debe sujetar el mango trasero. Esto también corresponde a personas zurdas.

! ADVERTENCIA

Nunca intente manejar la herramienta motorizada con una sola mano. La pérdida de control de la herramienta motorizada puede ocasionar lesiones graves o mortales. Para reducir el riesgo de lesionarse, mantenga las manos y los pies alejados del accesorio de corte. No toque nunca con las manos ni con cualquier parte del cuerpo un accesorio de corte en movimiento.

! ADVERTENCIA

No trate de alcanzar más lejos de lo debido. Mantenga los pies bien apoyados y equilibrados en todo momento. Se debe tener cuidado especial cuando las condiciones del suelo son resbaladizas (suelo húmedo, nieve) y en terreno difícil y con mucha vegetación. Para evitar tropezarse, esté atento a los obstáculos ocultos tales como tocones, raíces y zanjas. Para obtener un punto de apoyo seguro, quite los matorrales y el material cortado. Sea sumamente precavido cuando trabaje en declives o terreno irregular.

! ADVERTENCIA

Para reducir el riesgo de lesiones causadas por la pérdida del control, nunca trabaje sobre una escalera o cualquier otra superficie de soporte

poco seguro. Nunca mantenga el accesorio de corte a una altura más arriba de la cintura.

Condiciones de trabajo

Maneje y arranque su herramienta motorizada solamente al aire libre en un lugar bien ventilado. Manéjela solamente en condiciones de buena visibilidad y a la luz del día. Trabaje con mucho cuidado.

! ADVERTENCIA

Si la vegetación que se está cortando o la tierra en el lugar está recubierta de una sustancia química (tal como un pesticida o herbicida activo), lea y siga las instrucciones suministradas con la sustancia en cuestión.

! ADVERTENCIA

La inhalación de ciertos polvos, especialmente los polvos orgánicos, tales como el moho o polen, puede provocar reacciones alérgicas o asmáticas en las personas sensibles. La inhalación repetida o de grandes cantidades de polvo u otros contaminantes del aire, especialmente los de partículas pequeñas puede causar enfermedades respiratorias o de otro tipo. Controle el polvo en su fuente, siempre que sea posible. Utilice buenas prácticas de trabajo, tal como trabajar de manera que el viento o el proceso de corte dirija el polvo producido por la herramienta motorizada en sentido opuesto del operador. Observe las recomendaciones emitidas por EPA/OSHA/NIOSH y las asociaciones de trabajo y los sindicatos con respecto al polvo ("materia particulada"). Cuando

sea imposible eliminar significativamente la inhalación del polvo, es decir mantener el nivel cerca del valor ambiente, el operador y las personas que se encuentren en la cercanía siempre deberán usar un respirador aprobado por NIOSH/MSHA para el tipo de polvo presente en el lugar.

Instrucciones de manejo**! ADVERTENCIA**

No maneje la herramienta motorizada usando el bloqueo de acelerador para arranque, pues no tendrá control de la velocidad del motor.

En caso de emergencia, apague el motor inmediatamente – mueva el control deslizante / interruptor momentáneo de parada a **0** o **STOP**

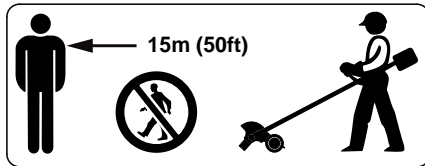
Consulte la sección del manual de instrucciones del motor KombiEngine que describe el uso del control deslizante / interruptor de parada / interruptor momentáneo de parada.

! ADVERTENCIA

El accesorio de corte sigue girando por un rato después que se suelta el gatillo de aceleración (efecto de volante).

! ADVERTENCIA

El accesorio de corte giratorio puede arrojar objetos extraños a gran distancia directa o indirectamente.



Para reducir el riesgo de ocasionar lesiones a los ojos u otras partes del cuerpo (vea el capítulo "Vestimenta adecuada"), asegúrese que las personas estén a por lo menos 15 m (50 pies) de distancia de la máquina. Para reducir el riesgo de ocasionar daños a la propiedad, mantenga esta distancia con respecto a los vehículos y las ventanas. Aun si se mantiene una distancia mínima de 15 metros, esto no elimina el peligro potencial. Los trabajadores que deben quedar en la zona prohibida también deben usar gafas o protección ocular. Apague el motor inmediatamente si se le aproxima alguna persona.

! ADVERTENCIA



Revise la zona de trabajo: Para reducir el riesgo de lesionarse, retire las piedras, piezas metálicas y otros objetos sólidos que pudieran ser lanzados a una distancia de 15 metros o más por el accesorio de corte, o que pudieran dañar el accesorio de corte y la propiedad (por ejemplo: vehículos estacionados, ventanas)



! ADVERTENCIA

La bordeadora normalmente se usa a nivel del suelo con el accesorio KombiTool perpendicular al suelo. El uso de la bordeadora sobre el nivel del suelo o con el accesorio de corte paralelo al suelo puede incrementar el riesgo de lesiones, dado que el accesorio de corte queda casi totalmente expuesto y la bordeadora es más difícil de controlar. No use nunca la bordeadora para recortar setos.

! ADVERTENCIA

Durante el corte, revise frecuentemente el apriete y la condición del accesorio de corte en intervalos regulares con el motor y el accesorio parados. Si nota un cambio en el comportamiento del accesorio durante el trabajo, apague el motor inmediatamente, espere hasta que se pare el accesorio de corte y revise el apriete de la tuerca que sujeta el accesorio y revise la cuchilla en busca de grietas, desgaste y daños.

! ADVERTENCIA

Una cuchilla suelta puede vibrar, agrietarse, romperse o salirse de la bordeadora, lo que puede provocar lesiones graves o mortales. Asegúrese que el accesorio de corte esté correctamente apretado. Utilice la llave suministrada o cualquier otra que tenga el largo adecuado para obtener el par de apriete adecuado. Si la cuchilla se suelta después de haberla apretado correctamente, deje de manejar la máquina inmediatamente. La tuerca de retención puede estar desgastada o dañada y debe ser sustituida. Si la

cuchilla continúa floja, consulte al concesionario STIHL. Nunca use un motor KombiEngine con un accesorio KombiTool suelto.

! ADVERTENCIA

Sustituya inmediatamente una cuchilla trizada, combada, deformada, dañada o desgastada, incluso si solamente hay rayas superficiales. Los accesorios en esa condición pueden romperse a velocidad alta y causar lesiones graves o mortales.

! ADVERTENCIA

Cuando utilice la bordeadora, evite cortar cerca de vallas, edificios, tocones, piedras u otros objetos de ese tipo que puedan causar contragolpe de la herramienta motorizada o daños a la cuchilla.

! ADVERTENCIA

Si la cuchilla metálica en movimiento choca contra una roca u otro objeto macizo, se podrían despedir chispas capaces de encender materiales inflamables en determinadas circunstancias. Entre los materiales inflamables se incluyen la vegetación y arbustos secos, en particular cuando el estado del tiempo es caliente y seco. Si existe un riesgo de incendio leve o grave, no use cuchillas metálicas alrededor de materiales inflamables, ni para cortar vegetación o arbustos secos. Comuníquese con las autoridades locales de control de incendios o con el servicio forestal de los EE.UU. si tiene alguna duda en

cuanto a las condiciones de la vegetación y el estado del tiempo para el uso de una cuchilla metálica.

ADVERTENCIA

Si la cuchilla o el deflector se atasca o queda pegado, siempre apague el motor y asegúrese que el accesorio de corte está detenido antes de limpiarlo. Limpie el pasto, las malezas, etc. de la cuchilla en intervalos regulares.

ADVERTENCIA

Para reducir el riesgo de la rotación inesperada del accesorio de corte y la posibilidad de sufrir lesiones, siempre apague el motor antes de sustituir el accesorio de corte.

ADVERTENCIA

La caja de engranajes está caliente durante el funcionamiento de la máquina. Para reducir el riesgo de lesiones por quemaduras, no toque la caja de engranajes cuando está caliente.

USO DEL ACCESORIO DE CORTE

Para una ilustración del accesorio de corte y las instrucciones acerca del montaje correcto, vea el capítulo sobre "Sustitución de la cuchilla" en su manual de instrucciones.

MANTENIMIENTO, REPARACIÓN Y ALMACENAMIENTO

ADVERTENCIA

Siempre apague el motor y verifique que el accesorio de corte está parado antes de llevar a cabo cualquier trabajo de mantenimiento, reparación o limpieza de la herramienta motorizada. No intente hacer ningún trabajo de mantenimiento o reparación que no esté descrito en su manual de instrucciones del motor KombiEngine o del accesorio KombiTool. Este tipo de trabajo debe realizarse únicamente en el taller de servicio de STIHL.

ADVERTENCIA

Utilice solamente piezas de repuesto de STIHL para el mantenimiento y la reparación. El uso de piezas no fabricadas por STIHL puede causar lesiones graves o mortales.

Use guantes para manipular o reparar las cuchillas.

ADVERTENCIA

Nunca repare los accesorios de corte dañados aplicándoles soldadura, enderezándolos o modificándoles su forma. Esto puede causar el desprendimiento de alguna pieza del accesorio de corte y producir lesiones graves o mortales.

Apriete todas las tuercas, pernos y tornillos, excepto los tornillos de ajuste del carburador, después de cada uso.

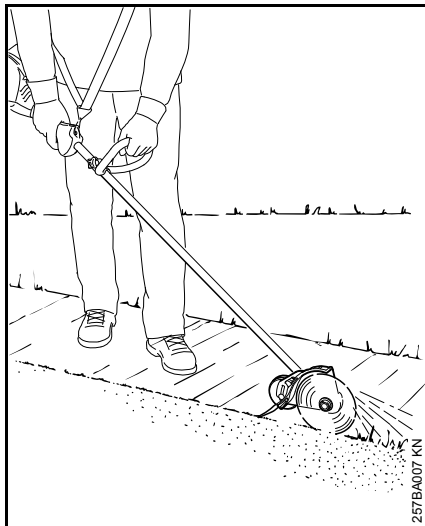
No limpie la máquina con una lavadora a presión. El chorro fuerte de agua puede dañar las piezas de la máquina.

No sumerja la herramienta motorizada en ningún fluido.

Siempre limpie el polvo y la suciedad de la herramienta motorizada – no utilice disolventes de grasa para este propósito.

Guarde la herramienta motorizada en un lugar seco y elevado o con llave lejos del alcance de los niños.

Uso



El bordeadora ha sido diseñada para formar orillas bien definidas alrededor de prados y jardines de flores. Puede cortar casi todo tipo de pastos, malezas y plantas verdes blandas.

Preparaciones

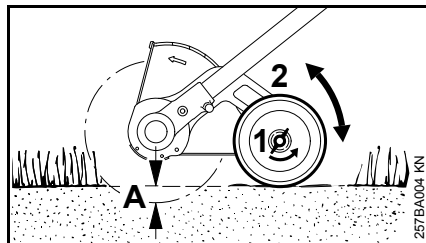
Si la zona de trabajo está sumamente seco, rocíela con un poco de agua; esto ablanda el suelo un tanto y también reduce la cantidad de polvo que se levanta. Las plantas verdes son más fáciles de cortar cuando están húmedas.

ADVERTENCIA

Quite todos obstáculos y objetos sólidos de la zona de trabajo.

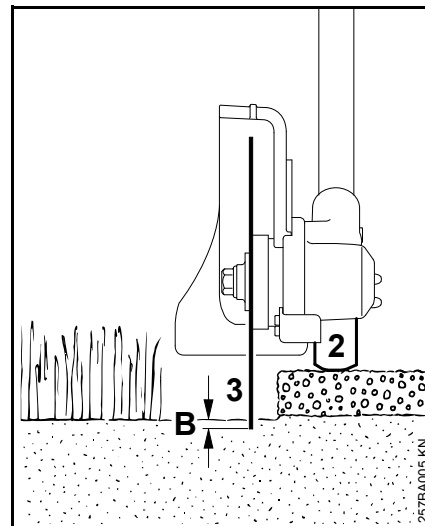
- Planifique la mejor ruta para el bordeado. Siempre sujete y maneje el bordeadora hacia el lado derecho de su cuerpo.

Ajuste de la profundidad de corte



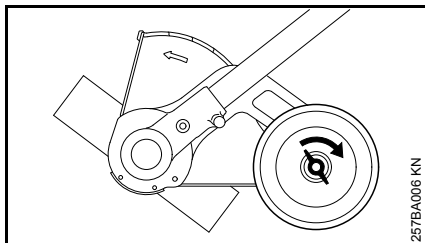
- Para reducir la posibilidad de lesiones, apague el motor.
- Afloje la tuerca mariposa (1) en sentido contrahorario.
- Empuje la rueda (2) hacia arriba para aumentar la profundidad de corte (A) o hacia abajo para reducir la profundidad de corte (A).

Ajuste correcto

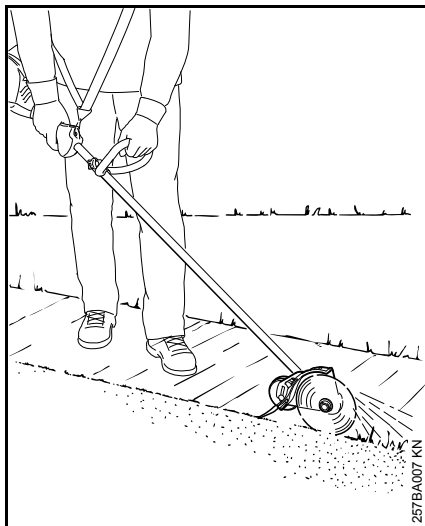


La profundidad de corte depende de las irregularidades del terreno, la altura del operador y la forma de sujetar la bordeadora. Utilice el procedimiento siguiente:

- Ajuste la rueda de profundidad (2) de modo que la cuchilla (3) apenas toque el suelo o penetra la superficie del suelo por no más de 5 mm (0,2 pulg).



- Apriete la tuerca mariposa en sentido horario.
- Mientras se está parado en la posición de trabajo normal, revise la profundidad de corte nuevamente y ajústela de ser necesario.



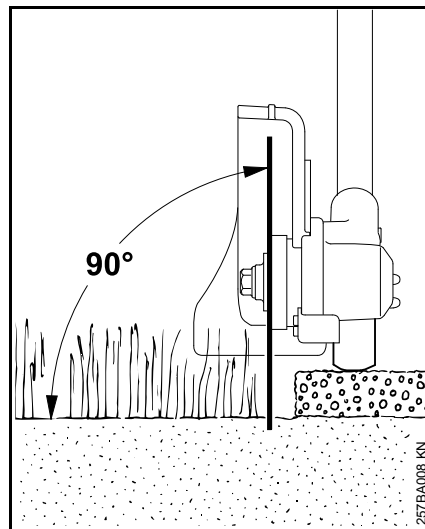
! ADVERTENCIA

No ajuste el deflector.

El deflector ha sido ajustado por el fabricante de modo que su flecha y su lado abierto apuntan en sentido opuesto al operador. Esto asegura que el

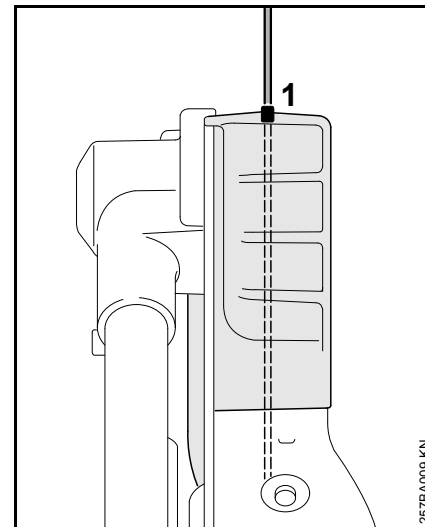
material cortado y la basura sean lanzados en sentido opuesto a la herramienta motorizada y al operador.

Bordeado



- Arranque el motor.
- Inicie el corte con el motor a media aceleración como mínimo y continúe el corte a aceleración máxima.
- Sujete la herramienta motorizada y guíela de modo que la cuchilla esté en posición vertical.
- Corte de modo uniforme, de manera que el motor no pierda velocidad – no aplique fuerza.
- Camine a un paso normal mientras se corta.
- No empuje la cuchilla para meterla en el suelo.

- Siempre camine hacia adelante al cortar, nunca tire de la máquina hacia su persona.
- Corte a un paso uniforme para evitar tener que hacer varias pasadas.



- Utilice la mira (1) para alinear la cuchilla con el borde del lecho.

Motores KombiEngine aprobados

Motores KombiEngine

Utilice únicamente los motores KombiEngine suministrados por STIHL o expresamente autorizados por STIHL para usarse con el modelo específico.

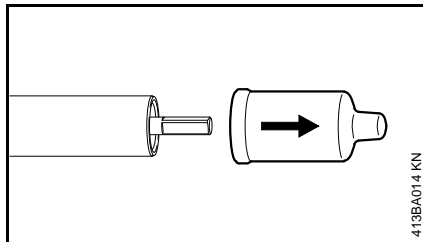
Utilice esta herramienta KombiTool únicamente con los motores KombiEngine siguientes:

STIHL KM 55 R, KM 56 R, KM 85 R, KM 90 R, KM 94 R, KM 110 R, KM 130 R

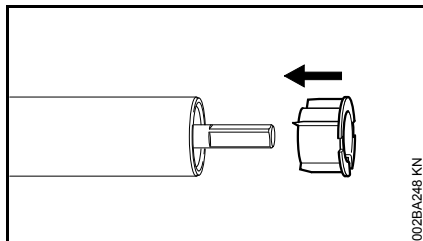
ADVERTENCIA

En el caso de las máquinas con mango tórico, es necesario instalar la pinza (barra de defensa).

Armado de la máquina



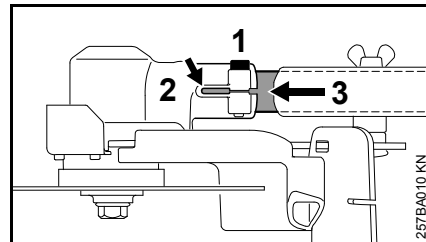
- Extraiga las tapas de los extremos del tubo de mando y guárdelas en un lugar seguro para usarlas más tarde - vea "Almacenamiento de la máquina".



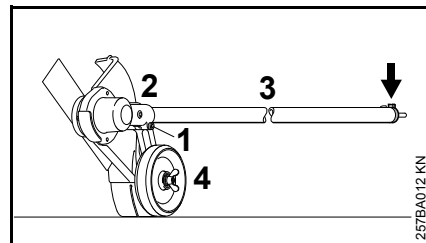
INDICACIÓN

El tapón puede salir del tubo de mando cuando se quita la tapa. Empújelo hasta el tope en el tubo de mando.

Montaje de la caja de engranajes



- Afloje el tornillo de fijación (1) en la caja de engranajes (2).
- Empuje el tubo de mando (3) a través de la abrazadera y métele en la caja de engranajes, girando ésta última en uno y otro sentido según sea necesario.
- Una vez que el extremo del tubo de mando está insertado más allá de la ranura (vea la flecha) en la abrazadera (5), empujelo totalmente hasta donde tope.
- Apriete el tornillo de la abrazadera moderadamente.

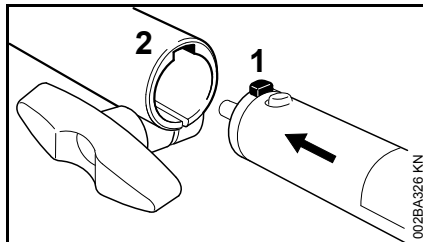


- Alinee la caja de engranajes (2) en el tubo de mando (3) de modo que la orejeta (vea la flecha) apunte

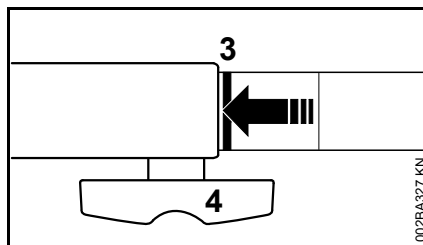
verticalmente hacia arriba cuando la rueda reguladora de profundidad (4) está en posición vertical.

- Apriete los tornillos (1) de fijación firmemente.

Instalación del KombiTool



- Empuje la orejeta (1) del tubo de mando en la ranura (2) en el manguito de acoplamiento hasta que haga tope.



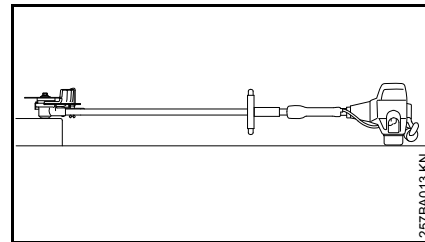
Cuando la instalación es correcta, la raya roja (3) (punta de la flecha) debe estar a ras con el extremo del manguito de acoplamiento.

- Apriete la perilla (4) **firmemente**.

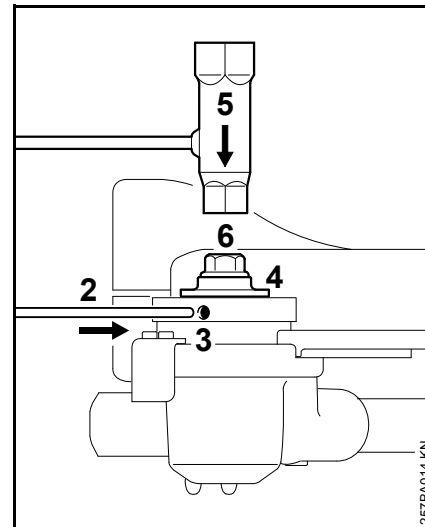
Retiro del accesorio KombiTool

- Invierta la secuencia anterior para retirar el tubo de mando.

Montaje de la cuchilla



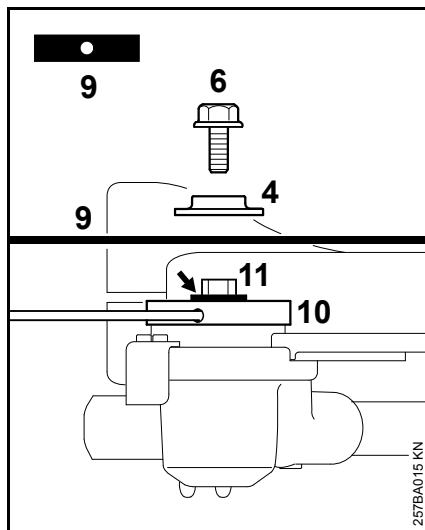
- Apoye la bordeadora motorizada sobre la parte trasera con el punto de montaje de la cuchilla (1) hacia arriba.



- Introduzca el pasador de tope (2) hasta fondo en el agujero (3) – aplique un poco de presión y muévelo hacia adelante y atrás

junto con la placa de empuje (4) hasta que el pasador se deslice en su lugar para bloquear el eje.

- Coloque la llave combinada (5) en el tornillo (6).
- Gire el tornillo en sentido horario (roscas izquierdas) y quítelo.



- Quite la arandela de empuje (4).
- Coloque la cuchilla (9) en la placa de empuje (10).

! ADVERTENCIA

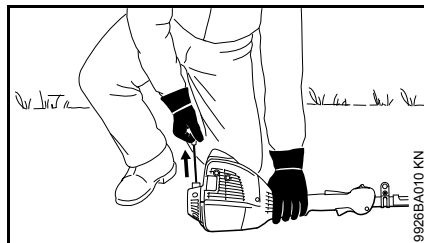
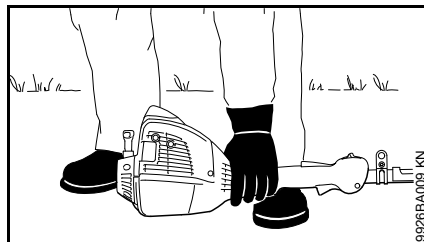
El collar (vea la flecha) debe engancharse en el agujero de montaje de la cuchilla.

- Coloque la arandela de empuje en el eje (11) y bloquee el eje.
- Coloque el tornillo (6) en el eje en sentido contrahorario y apriételo firmemente.

Arranque / parada del motor

Arranque del motor

Para arrancar el motor, sencillamente siga las instrucciones de uso del motor KombiEngine o de la herramienta motorizada básica.



- Coloque la máquina sobre el suelo, en una posición segura

La cuchilla no deberá tocar el suelo ni ningún otro objeto – **¡Riesgo de accidentes!**

- Colóquese en una postura firme – algunas opciones: de pie, encorvado o arrodillado
- Presione la máquina **firmemente** contra el suelo con la mano izquierda – no toque los mandos del mango de control al presionarla –

consulte el manual de instrucciones del motor KombiEngine o de la herramienta motorizada básica

INDICACIÓN

¡No se pare ni se arrodille sobre el eje!

! ADVERTENCIA

Si el motor se arranca, la cuchilla puede girar tan pronto como el motor esté en marcha – por lo tanto, presione momentáneamente el gatillo de aceleración una vez que el motor esté en marcha para que se desacelere a marcha en vacío.

El otro procedimiento de arranque se describe en el manual de instrucciones del motor KombiEngine o la herramienta motorizada básica.

Apagado del motor

- Vea el manual de instrucciones del motor KombiEngine o de la herramienta motorizada básica

Almacenamiento de la máquina

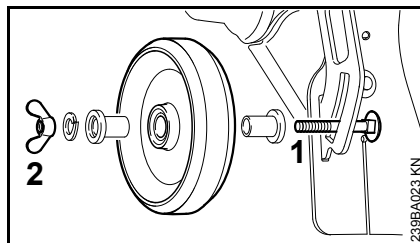
Para intervalos de 3 meses o más

- Retire, limpie e inspeccione la cuchilla.
- Si el accesorio KombiTool se retira del motor KombiEngine y se guarda aparte: Coloque la tapa protectora en el tubo de mando para evitar la entrada de tierra al acoplamiento.
- Guarde la máquina en un lugar seco y elevado, o bajo llave – fuera del alcance de los niños y de otras personas no autorizadas.

Sustitución de la rueda

Pida a un concesionario especializado que sustituya la rueda desgastada. STIHL recomienda que solamente los concesionarios STIHL autorizados efectúen los trabajos de mantenimiento y reparación.

Rueda

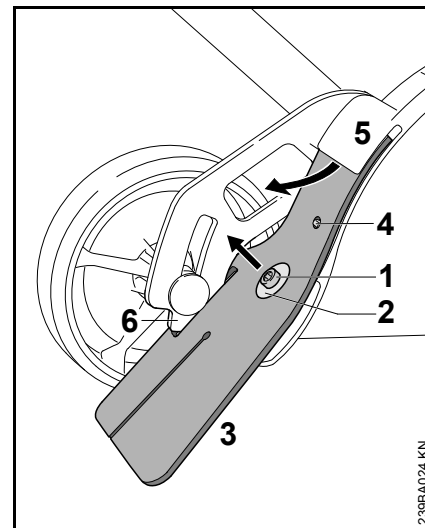


- El extremo de las roscas (1) del tornillo ha sido deformado con el fin de impedir que la tuerca mariposa (2) se extravíe.

La tuerca mariposa sólo puede desenroscarse del tornillo aplicando **una gran fuerza**. Si las piezas vuelven a unirse después de haber hecho esto, no es posible garantizar el buen funcionamiento del "retenedor de la tapa de llenado". En tal caso, pida al concesionario autorizado para servicio que sustituya el tornillo con la tuerca mariposa.

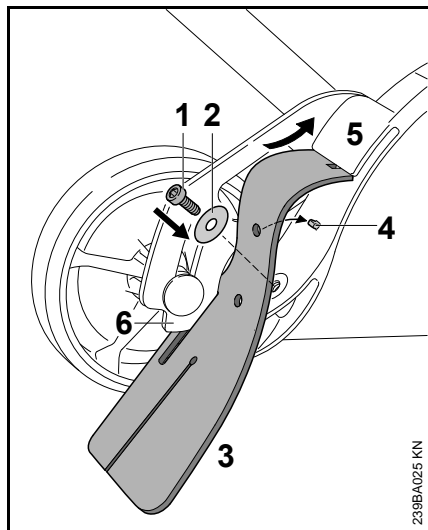
Sustitución de la faldilla

Retiro de la faldilla



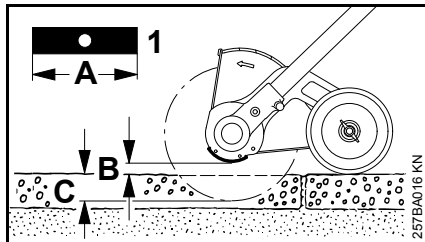
- Afloje y saque el tornillo (1).
- Quite la arandela (2)
- Tire de la faldilla (3) para sacarla del segmento (6) y de la separación (5) del deflector.

Colocación de la faldilla



- Para poder meter la faldilla fácilmente en la separación del deflector, aplíquese una capa delgada de aceite sin resina a la parte superior de la faldilla.
- Enrosque la faldilla (3) en el segmento (6) y métala en la separación (5) del deflector – la cavidad de la faldilla debe quedar fijada en el árbol (4).
- Coloque la arandela (2) en el tornillo (1).
- Inserte y apriete el tornillo (1)

Sustitución de la cuchilla



Nunca intente enderezar o soldar una cuchilla doblada o agrietada – **podría despedazarse** – la misma debe sustituirse – vea "Montaje de la cuchilla".

STIHL recomienda el uso exclusivo de las cuchillas originales de STIHL siguientes:

Largo	Espesor	Marca
200 mm	2,4 mm	4133 / 01
200 mm	3,8 mm	4133 / 02

No afile la cuchilla.

- Sustituya la cuchilla (1) cuando su largo (A) deja de ser suficiente para mantener la altura necesaria sobre el suelo (B) y para obtener la profundidad de corte deseada (C).

Revisión de desequilibrio

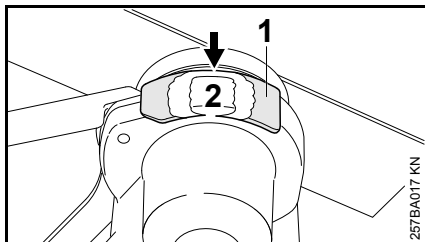
Para evitar el desequilibrio:

- Pida que un concesionario revise el desequilibrio de la cuchilla con un equilibrador STIHL (accesorio especial) – STIHL recomienda acudir a un concesionario STIHL

para servicio. Si la cuchilla está desequilibrada, instale una nueva – vea "Montaje de la cuchilla".

Revisión y sustitución del protector contra desgaste

Revisión del protector contra desgaste

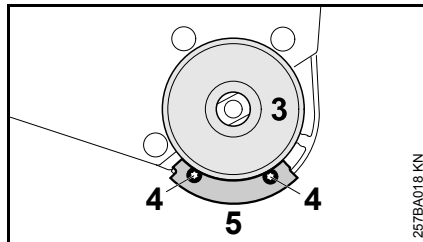


- Revise el protector contra desgaste (1) en busca de daños antes de arrancar la herramienta motorizada.
- El protector contra desgaste debe sustituirse cuando el deflector (2) (flecha) está visible.

INDICACIÓN

Es posible dañar severamente la caja de engranajes si no se cambia periódicamente el protector contra desgaste.

Sustitución del protector contra desgaste



- Retire la cuchilla - vea "Instalación de la cuchilla".
- Quite la placa de empuje (3).
- Saque los tornillos (4).
- Coloque el protector nuevo (5).
- Inserte los tornillos (4) y apriételos bien firmes.
- Instale la placa de empuje (3).
- Instale la cuchilla - vea "Instalación de la cuchilla".

Información para mantenimiento

Los intervalos que se indican a continuación corresponden únicamente a condiciones normales de funcionamiento. Si la jornada diaria es más prolongada que lo normal, o bien si las condiciones son extremas (zonas con demasiado polvo, etc.), acorte apropiadamente los intervalos indicados.

Tornillos y tuercas accesibles (no la tuerca mariposa de la rueda reguladora de profundidad)

- Revise y apriete según sea necesario

Rueda reguladora de profundidad

- Inspección visual antes de iniciar los trabajos
- Verifique el apriete de la tuerca mariposa antes de iniciar los trabajos
- Sustituya de ser necesario – vea "Sustitución de las ruedas"

Faldilla

- Inspección visual antes de iniciar los trabajos
- Sustituya si tiene daños – vea "Sustitución de la faldilla"

Cuchilla

- Inspección visual antes de iniciar los trabajos
- Revise el apriete antes de iniciar los trabajos

- De ser necesario, solicitar que se revise el equilibrio, sustituir si está desequilibrada – ver "Sustitución de la cuchilla"
- Sustituya si tiene daños – vea "Sustitución de la cuchilla"

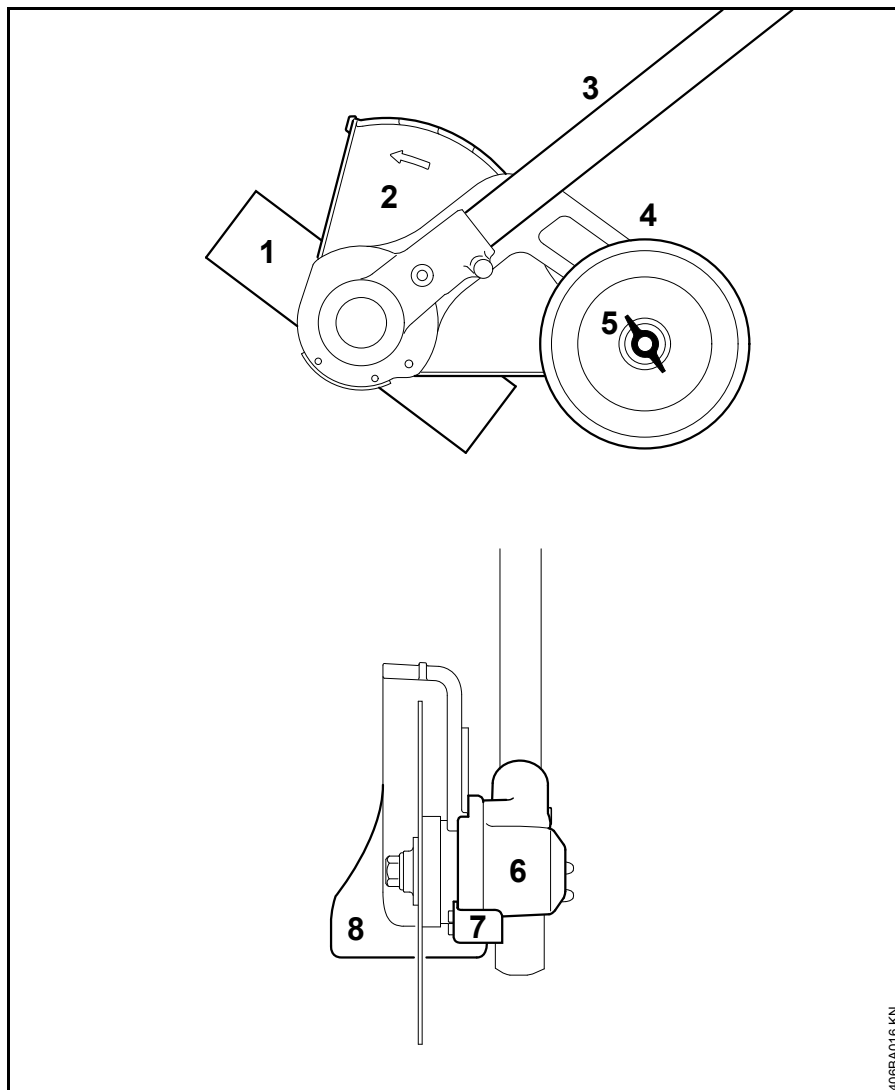
Protector contra desgaste

- Revise antes de iniciar los trabajos
- Sustituya si tiene daños – vea "Revisión y sustitución del protector contra desgaste"

Etiquetas de seguridad

- Cambie las etiquetas de seguridad ilegibles

Componentes importantes



- 1 Cuchilla
- 2 Deflector
- 3 Tubo de mando
- 4 Rueda reguladora de profundidad
- 5 Tuerca mariposa
- 6 Caja de engranajes
- 7 Protector contra desgaste
- 8 Faldilla

408EBA016 KN

Definiciones

- 1 Cuchilla**
Cuchilla metálica para recortar malezas y plantas verdes blandas.
- 2 Deflector**
Sirve para reducir el riesgo de lesiones causadas por objetos extraños arrojados contra el operador por el accesorio de corte y por el contacto con el accesorio de corte.
- 3 Tubo de mando**
Encierra y protege el eje impulsor entre el manguito de acoplamiento y la caja de engranajes.
- 4 Rueda reguladora de profundidad**
La rueda reguladora de profundidad rueda sobre el suelo y mantiene la cuchilla de la bordeadora a la altura correspondiente a la profundidad de corte fijada por el operador.
- 5 Tuerca mariposa**
Es necesario soltarla para mover la rueda para ajustar la profundidad de corte.
- 6 Caja de engranajes**
Reduce la velocidad del motor a la velocidad necesaria para impulsar la cuchilla de la bordeadora.
- 7 Protector contra desgaste**
Protege la caja de engranajes contra el desgaste.
- 8 Faldilla**
Sirve para reducir el riesgo de lesiones causadas por objetos extraños arrojados contra el operador por la cuchilla.

Especificaciones


Peso

con deflector y
cuchilla: 2,4 kg (5,3 lb)

Información de reparación

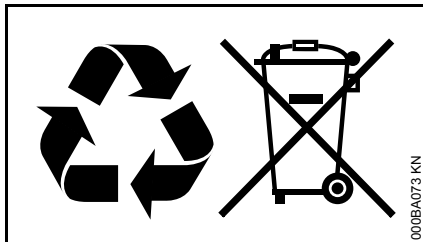
Los usuarios de esta máquina deben efectuar únicamente los trabajos de mantenimiento descritos en este manual. STIHL recomienda que un concesionario de servicio STIHL efectúe los demás trabajos de reparación.

Los reclamos de garantía presentados después de realizadas las reparaciones serán aceptados únicamente si las mismas fueron ejecutadas por un concesionario de servicio autorizado STIHL utilizando piezas de repuesto genuinas de STIHL.

Los repuestos genuinos STIHL se identifican por medio del número de pieza STIHL, el logotipo **STIHL** y el símbolo de piezas STIHL . El símbolo aparece solo en algunas piezas pequeñas.

Desecho

Respete todas las leyes y los reglamentos sobre eliminación de desechos que correspondan a su país.



No se debe botar los aparatos STIHL en el basurero. Lleve el producto, los accesorios y el embalaje a un vertedero autorizado para reciclarlos y contribuir al cuidado del medio ambiente.

Comuníquese con un concesionario de servicio de STIHL para obtener la información más actualizada sobre la eliminación de desechos.

Marcas comerciales

Marcas registradas de STIHL

STIHL®

STIHL®



La combinación de colores anaranjado-gris (Números de registro EE.UU. 2,821,860; 3,010,057, 3,010,058, 3,400,477; y 3,400,476)



AutoCut®

EASYSTART®

FARM BOSS®

iCademy®

MAGNUM®

MasterWrench Service®

MotoMix®

OILOMATIC®

Rock Boss®

STIHL Cutquik®

STIHL DUROMATIC®

STIHL Quickstop®

STIHL ROLLOMATIC®

STIHL WOOD BOSS®

TIMBERSPORTS®

WOOD BOSS®

YARD BOSS®

Algunos de las marcas comerciales de STIHL por ley común



4-MIX™

BioPlus™

Easy2Start™

EasySpool™

ElastoStart™

Ematic™

FixCut™

HT Plus™

IntelliCarb™

Master Control Lever™

Micro™

Pro Mark™

Quad Power TM

Quiet Line TM

STIHL Arctic TM

STIHL Compact TM

STIHL HomeScaper Series TM

STIHL Interchangeable Attachment
Series TM

STIHL M-Tronic TM

STIHL MiniBoss TM

STIHL MotoPlus 4 TM

STIHL Multi-Cut HomeScaper Series TM

Stihl Outfitters TM

STIHL PICCO TM

STIHL PolyCut TM

STIHL PowerSweep TM

STIHL Precision Series TM

STIHL Protech TM

STIHL RAPID TM

STIHL SuperCut TM

STIHL Territory TM

TapAction TM

TrimCut TM

Esta lista de marcas comerciales está
sujeta a cambios.

Queda terminantemente prohibido todo
uso de estas marcas comerciales sin el
consentimiento expreso por escrito de
ANDREAS STIHL AG & Co. KG,
Waiblingen.

 **WARNING**

This product contains chemicals known to the State of California to cause cancer, birth defects or other reproductive harm.

 **ADVERTENCIA**

Este producto contiene sustancias químicas consideradas por el Estado de California como causantes de cáncer, defectos de nacimiento u otra toxicidad reproductora.

0458-472-8621-A

englisch / spanisch USA



www.stihl.com



0458-472-8621-A